

# Easy Adjust Dual Monitor Arm

## MA220MB

Free up desktop space and add your notebook screen to your LCD monitor to double the size of your computer's display. Or mount two LCD monitors side by side. Experience the productivity improvements of using two displays. Highly adjustable arms move up, down, forward and back with just a touch.

- Height easily adjusts up and down through 13" range
- Swivels 180° and tilts forward and back 80° for optimal ergonomic positioning
- Clamp or grommet mount hardware included
- Includes attachment system for docking stations for quick and easy notebook connectivity
- Monitor can rotate portrait or landscape
- For monitors up to 20 lbs, notebooks up to 12 lbs.
- Fits both 75 mm x 75 mm and 100 mm x 100 mm VESA-D monitor bolt hole patterns
- Maximum monitor/notebook combined weight—40 lbs with grommet mount
- 5 year warranty



Mount two monitors or  
notebook computer and monitor



Compatible with docking stations



Clamp or grommet mount

See back for detailed information

**3M**

## Easy Adjust System

The easy adjust system uses patented technology to let the user change the height of their display with just the touch of a finger—and the display stays where it's positioned!

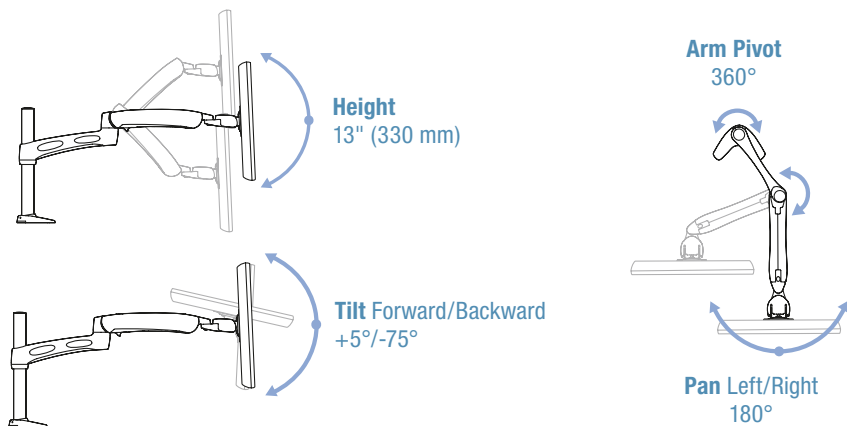
The benefit of the easy adjust technology versus gas spring based arm technology is the reliability and robustness of the design. With no gas to leak out of the system, 3M easy adjust monitor arms can last for thousands of cycles without failing.



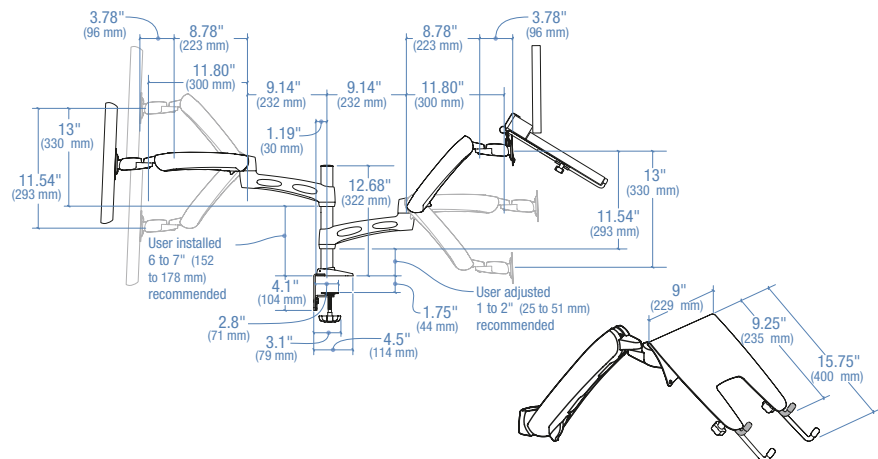
## Specifications

<b>Monitor Weight Range</b> lbs (kg)	5–20 (2.3–9.1)
<b>Notebook Weight Range</b> lbs (kg)	2.5–12 (1.1–5.4)
<b>Height Range of Adjustable Segment</b> Inches (mm)	13" (330)
<b>Tilt Range</b> Forward/Backward	+5°/-75°
<b>Pan</b> Left/Right	180°
<b>Rotation</b> Portrait/Landscape	90°
<b>VESA MIS-D 75 mm and 100 mm Compatibility</b>	Yes
<b>Clamp Mount Max Desk Thickness</b> Inches (mm)	1.875" (48)
<b>Clamp Mount Min Desk Thickness</b> Inches (mm)	.5" (13)
<b>Grommet Mount Max Surface Thickness</b> Inches (mm)	2.5" (64)
<b>Grommet Mount Min Hole Size</b> Inches (mm)	.3125" (8)
<b>Grommet Mount Max Hole Size</b> Inches (mm)	2" (51)
<b>Max Extension Length</b> Inches (mm)	25.875" (657)
<b>Max Mount Plate Height From Desk Surface</b> Inches (mm)	24.1875" (614)
<b>Min Mount Plate Height from Desk Surface</b> Inches (mm)	0
<b>Warranty Years</b>	5

## Range of Motion



## Dimensions



### Office Supplies Division Workspace Solutions Business

3M Center  
St. Paul, MN, 55144-1000  
800-332-7483  
www.3M.com/myworkspace

Please recycle. Printed in U.S.A.  
3M is a trademark of 3M. © 3M 2007.  
70-0714-3242-4